

# The H<sub>2</sub>Flow Series



## H<sub>2</sub>Flow

The H<sub>2</sub>Flow hydrogen generators from In House Gas, offer a reliable and safe alternative to cylinder stored hydrogen. Producing up to 600cc/min of high purity hydrogen, the H<sub>2</sub>Flow range is compact and efficient. It produces hydrogen only when demanded by the application and leak alarms ensure complete peace of mind for the user.

The H<sub>2</sub>Flow is covered by our standard 1 Year Warranty and we have a range of Service Support plans available.

### Features & Benefits:

- \* Desk or rackmount version available
- \* External water tank
- \* Stainless steel dryer ensures high purity
- \* Enhanced Health and Safety
- \* Faster analysis time
- \* Increased chromatographic resolution
- \* One Year Warranty

### Applications:



FID  
NPD  
ELCD  
HALL  
HWD  
Carrier Gas

### Technical Specification:

Model	Part No:	Purity	Flow	Operating Pressure	Power Requirements	Dimensions dxwxh (cm)	Weight (kg)
H <sub>2</sub> Flow 200	0HB00	>99.99999%	200cc/min	0-6 barg*	115-230VAC/50-60Hz	50x40x31	19
H <sub>2</sub> Flow 200-R	0HB00-R	>99.99999%	200cc/min	0-6 barg*	115-230VAC 50/60Hz	38x48x31	20
H <sub>2</sub> Flow 400	0HD00	>99.99999%	400cc/min	0-6 barg*	115-230VAC 50/60Hz	50x40x31	21
H <sub>2</sub> Flow 600	0HF00	>99.99999%	600cc/min	0-6 barg*	115-230VAC 50/60Hz	50x40x31	23

We reserve the right to change and modify any product specifications or design. Error and omissions accepted

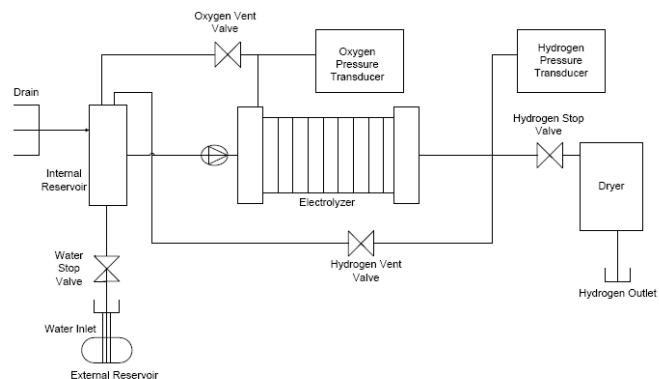
Lab & DentalcA/Re, 19 Birch Road, Witton, Birmingham, England, B6 7DD  
Tel: +44 (0) 121 327 8098 Fax: +44 (0) 121 327 1923 info@labanddental.co.uk

[www.inhousegas.com](http://www.inhousegas.com)

## How does the H<sub>2</sub>Flow generator work?



Hydrogen is produced via an electrolytic cell. Demineralised water flows into this cell from a small water tank which is located externally. The electrolyte produces hydrogen gas and the oxygen is expelled safely to atmosphere. The hydrogen passes through a stainless steel desiccant cartridge for moisture removal.



## FAQ's

### How much do they cost?

Generator costs vary. We work with you to properly size the system to meet your required purity, pressure and flow rate. Once this is done, we can make a formal price quote. We include a one year warranty and no-quibble guarantee with our Hydrogen generators

Please tell us more about your application needs.

### Do you have any references?

Yes. We would be delighted to offer a number of references.

### Do you rent or lease your systems?

Yes, please contact us for details.

### What are the Maintenance Costs?

The hydrogen generator requires good quality de-ionised water at 5µS or less. The desiccant also needs to be replaced based on a schedule. The maintenance is a simple procedure which can be carried out on the field. For extra peace of mind we do offer Spares Kits that obtain all standard parts.

Please contact us for more details.

### Can I change the flow of the system?

NO!! This will make your warranty void. Do not open up the generator without calling In House Gas.

We reserve the right to change and modify any product specifications or design. Error and omissions accepted

Lab & DentalcA/Re, 19 Birch Road, Witton, Birmingham, England, B6 7DD  
Tel: +44 (0) 121 327 8098 Fax: +44 (0) 121 327 1923 info@labanddental.co.uk

[www.inhousegas.com](http://www.inhousegas.com)